

# UNI-BASE™

## Ultra-Wide Base Plate Kits for Rotary Positive Blowers



### Quality You Can Count On

- The wide base plate accommodates a variety of blower and motor arrangements.
- A relief valve connection is provided on all units.
- Durable carbon steel construction with a high-quality blue primer finish.

### Immediate Availability

- Designed for manufacturability and fast delivery of standard models.

### Two Convenient Kits

- Choose from two filtration and silencing configurations for the blower intake.

Universal Silencer's base plate kits are ideal for small blower packages that use a blower, motor, belt guard, and inlet and discharge silencers mounted to a base plate unit. For easy installation, the base plates and discharge silencers are shipped pre-assembled.

Contact Universal Silencer for information about custom applications.

#### UNIVERSAL SILENCER BASE PLATE KITS AT A GLANCE

Base Plate Kit	Base Plate	URBY Discharge Silencer	URBN High-Side Inlet Silencer	CCF Inlet Filter	CCS Inlet Filter-Silencer
A	■	■	■	■	
B	■	■			■



**UNIVERSAL SILENCER**

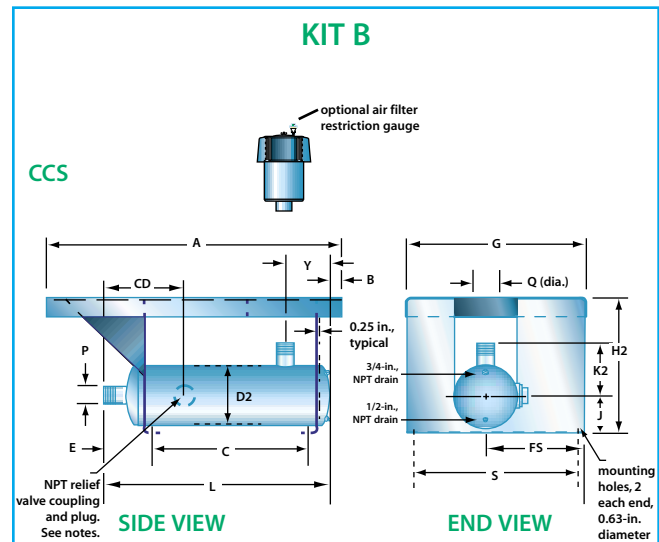
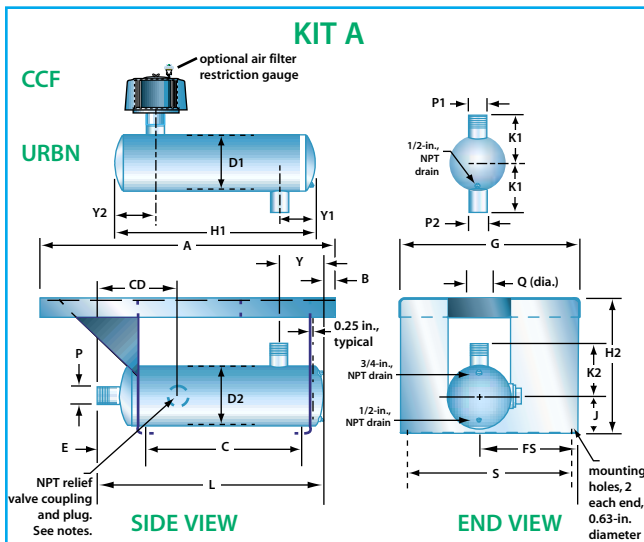
**Noise Control and Air Filtration**

# UNI-BASE™ ULTRA-WIDE BASE PLATE KITS FOR ROTARY POSITIVE BLOWERS

**T**hese wide base plate kits accommodate a variety of package designs. Both kits use the same base plate and discharge silencer. Kit A includes the Universal Silencer model URBN high-side inlet silencer and CCF inlet air filter. Kit B includes the Universal Silencer model CCS combination inlet air filter-silencer. See Universal Silencer catalog 244, *Rotary Positive Blower Silencers*, for performance and sizing information for the URB series silencers. See Universal Silencer catalog 242, *Cartridge Air Filters and Filter-silencers*, for performance data, weights, and dimensions of CCF filters and CCS filter-silencers.

## PART NUMBERS

UNI-BASE Kit	Part Number	UNI-BASE Kit	Part Number
A-2	80-1873	B-2	80-1885
A-2 1/2	80-1874	B-2 1/2	80-1886
A-3	80-1875	B-3	80-1887
A-4	80-1876	B-4	80-1888
A-5	80-1877	B-5	80-1889
A-6	80-1878	B-6	80-1890



## DIMENSIONS AND WEIGHTS

### URBN High-Side Inlet Silencers

P1/P2 (nom.)	D1	H1	K1	Y1	Y2	Approximate Weight
2.0	8.00	27.00	7.00	6.00	3.50	25
2.5	10.00	28.00	8.00	7.00	4.50	35
3.0	10.00	40.00	8.00	7.00	4.50	50
4.0	14.00	47.00	10.00	6.00	5.50	80
5.0	16.00	60.00	11.00	6.50	6.50	140
6.0	18.00	66.00	12.00	8.00	7.50	170

### Standard Assembly: Base Plate with URBV

P (nom.)	A	B	C	CD	D2	E	FS	G	H2	J	K2	L	Q (dia.)	S	Y	Approximate Weight
2.0	39.00	1.50	20.75	10.56	8.00	6.31	13.00	23.38	16.00	5.00	7.00	30.00	3.50	21.00	6.00	125
2.5	44.50	0.50	20.88	11.13	10.00	6.56	14.25	27.38	17.00	6.00	8.00	31.00	4.00	25.00	7.00	170
3.0	55.50	4.00	31.50	12.00	10.00	7.50	15.13	29.75	17.00	6.00	8.00	43.00	4.75	26.25	7.00	270
4.0	56.00	—	37.31	15.38	14.00	7.88	16.44	33.00	24.50	8.00	10.00	50.00	6.00	29.50	11.00	355
5.0	66.00	—	43.38	18.25	16.00	13.75	14.75	35.00	23.50	9.00	11.00	62.50	11.00	30.50	12.00	500
6.0	66.00	—	52.00	18.25	18.00	10.38	15.13	35.25	26.50	10.25	12.00	69.00	12.00	30.50	12.00	645

- Dimensions are in inches, weights are in pounds. Dimensions and weights are nominal and may vary slightly with production models. Request certified drawings of specific models for exact dimensions.
- Sizes 2 in. to 4 in. URBN inlet silencers are shipped with male pipe threaded inlets and plain pipe outlets. Sizes 5 in. and 6 in. URBN inlet silencers are shipped standard with flanged inlet connections drilled to 125/150 lb ANSI specifications and plain pipe outlets.
- Sizes 2 in. to 5 in. URBV discharge silencers are shipped standard with male pipe threaded connections. Size 6 in. URBV discharge silencers are shipped standard with flanged discharge connections drilled to 125/150 lb ANSI specifications and plain pipe blower connections.
- Sizes 2 in. to 3 in. URBV discharge silencers have a 2-in. NPT relief valve coupling and plug. Sizes 4 in. to 6 in. URBV discharge silencers have a 3-in. NPT relief valve coupling and plug.
- UNI-BASE base plate kit sizes 2 through 4 require gussets.